

The background of the advertisement is a close-up, high-angle shot of a fire burning in a stove. The fire is bright orange and yellow, with flames rising from a bed of dark, charred logs. The logs are arranged in a grid pattern, and the fire is visible through the gaps. The stove's metal grate is dark and has a textured surface. In the lower-left corner, there is a small, embossed logo consisting of two stylized, curved lines. The overall lighting is warm and focused on the fire, creating a cozy and inviting atmosphere.

ACR
FIREBOX STOVES

MULTIFUEL STOVE RANGE

STOVES YOU CAN REALLY ENJOY

C O N T E N T S

03 | Introduction

04 | Essential stove information

06 | Stoves and the environment

Our stoves



24 | Stove specifications

26 | Stove finish options

26 | Stove accessories

27 | Installation information



M U L T I F U E L S T O V E R A N G E

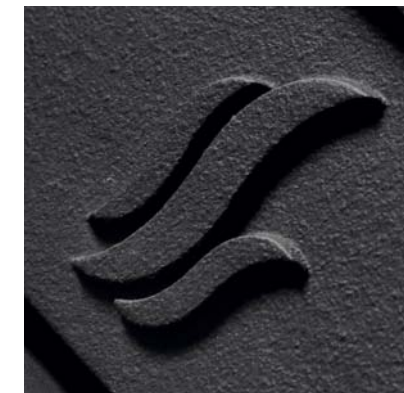
With over twenty five years experience designing some of the world's finest woodburning and multifuel stoves we are pleased to introduce a new range of premium quality stoves - designed from the ground up to meet the needs of contemporary room heating.

Manufactured from heavy gauge steel and premium grade solid cast iron, our stoves are built for a lifetime of dependable use.

All our stoves are available in a Traditional Black, Buttermilk and Cranberry Blush stove paint finishes.

Featuring large ceramic glass door panels you will enjoy a stunning view of the fire, especially as the glass is continually swept clear of combustion deposits by a powerful airwash system. Cleanburn technology and a lined firebox ensure that you get the maximum efficiency from your fuel supplies - whether you choose to burn wood or solid fuel. Plus DEFRA approval means that you can even use our stoves to burn wood in smoke controlled zones.

With outputs optimised to suit most homes requirements our stoves offer warmth, charm and dependability.



Sophisticated on the outside... sophisticated on the inside...

1 SOLID CONSTRUCTION

Our stoves embody 25 years of design experience and are manufactured from heavy gauge steel and premium grade cast iron to withstand the high combustion temperatures and for many years of enjoyable dependability.

2 AIRWASH SYSTEM

Combustion can produce deposits that build up on the inside of your stove, causing the glass door panel to become obscured. Our airwash system is designed to sweep away these deposits leaving a clear view of the fire.

3 CLEANBURN TECHNOLOGY

Our highly efficient cleanburn combustion means more heat to your room and less harmful emissions to the atmosphere.

4 LINED FIREBOX

More heat is retained for keeping you warm and our lining system also helps to keep the stove clean on the inside.

5 ADJUSTABLE LOG GUARD

Simple to adjust between single or double height to suit your fuel - whether using logs or loading up with solid fuel.

6 STRAIGHTFORWARD CONTROLS

Front mounted controls make it an easy task to get your stove under fire and to then maintain consistent output.

7 EASY TO MAINTAIN

Our traditional stove paint finishes can be wiped down when cool. A specialist ACR stove paint spray is available should you need to restore your stoves finish.



All of our stoves are designed with a range of sophisticated features and a choice of traditional and colour stove paint finishes.

Please see page 26 for stove finish information.



Essential stove information

OUTPUTS

ACR Heat Products stoves produce varying degrees of heat. In order to calculate whether an appliance will be suitable for your room please consult your local dealer for advice. As a general rule of thumb you will need approximately 1 Kw of heat for every 14 cubic metres of room-space (based on an outdoor temperature of 0°C). Measure your room's height, width and depth to obtain a total cubic metres figure and divide by 14. This calculation can be influenced by other factors such as levels of insulation and number of windows, so treat your final figure as a guideline only. Your dealer will be happy to provide you with a more accurate calculation.

5 YEAR WARRANTY



All ACR Heat Products stoves are covered by a 5 year warranty which covers all stove body castings, it does not include consumable items such as glass and door seals. This 5 year warranty is only applicable when the stove is purchased from one of our recommended retailers. If a stove from any of our brands is purchased from a non-recommended retailer then only a 12 month warranty will be applicable as outlined below.

All stoves are covered by a 1 year castings warranty when purchased through a non-recommended retailer. The warranty covers the stove body castings only and does not include consumable items such as grates, firebricks, vermiculite panels, baffles, log guards, door rope and glass.

Any warranty claims should be addressed to your original supplier and accompanied with the date of purchase and serial number of the appliance.

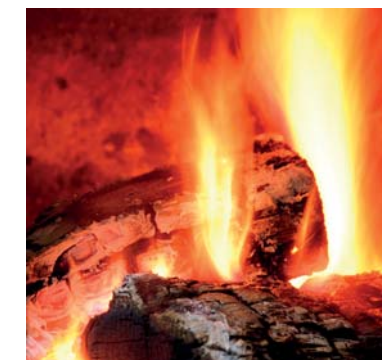
DEFRA APPROVED



DEFRA approval means that you can now burn wood in designated smoke controlled zones. All the stoves in this brochure are fully DEFRA approved. DEFRA approval requires that the stove is used in accordance with the users manual. Visit www.defra.gov.uk for further information.

CE CERTIFICATION

In line with current building regulations your installer will need to check that the appliance he is installing is CE approved. All of our stoves are fully CE approved and the appropriate certification is available to your installer by calling ACR Heat Products on 0121 706 8266.



Stoves and the environment



Woodburning is a highly efficient way of heating your home and by choosing an ACR Heat Products stove you can make a difference now to reducing your carbon emissions. Wood is environmentally friendly as it consumes more carbon dioxide whilst growing than it emits when burning. Wood is also one of the few fuels which is renewable in our lifetime.

The Carbon Trust recognises wood as a carbon neutral fuel (see table opposite):

Fuel	Kgs of CO ² per week
Electricity	128 Kg
Coal	116 Kg
Oil	88 Kg
Gas	63 Kg
Coal/water 50% mix	58 Kg
Wood	Zero Kg

SEASONING & STORING LOGS

We recommend that our customers select seasoned wood purchased from a sustainable forest management scheme, to ensure that the wood you use will be replaced using reliable methods. For more information please visit www.acrheatproducts.co.uk.

Trees contain a lot of water, freshly cut logs will contain about 50% water and will be difficult to burn and may cause excessive tar deposits on glass panels, stove components and the flue pipe. We recommend that logs should be cut to the required lengths and stored outside in a manner that allows air to circulate, but under cover so

they are protected from rain. If possible, it is always best to season the wood for two years before burning reducing water content to less than 20%.

SOLID FUEL

We do not recommend the use of house coal or petroleum based solid fuels with our products. You are advised to check the compatibility of the fuel you intend to use with your chosen stove before you commit to buy.

For independent advice on all fuel types, please contact the Solid Fuel Association on 0845 601 4406.

“We all have an obligation to protect the environment and preserve its future. Making informed energy decisions now will reflect in the environment around us in the years to come.”





Earlswood **5kW**

The multifuel Earlswood stove has all the wonderful, cosy atmosphere of a traditional woodburning stove - with a difference - DEFRA approval means that the Earlswood can be used for woodburning in smoke controlled zones. So now you can enjoy a real crackling log fire wherever you live - whether the town or country.

The Earlswood is also suitable for burning a range of smokeless fuels and is equipped with a powerful airwash system to help keep the glass door panel clear of deposits, for an uninterrupted view of the fire.



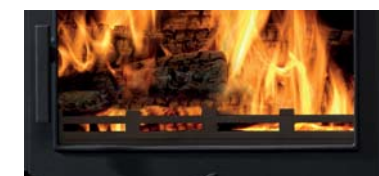
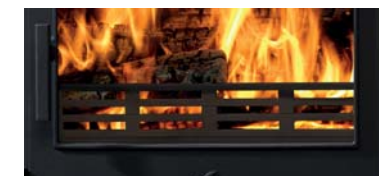
FEATURES AT A GLANCE

- DEFRA approved - you can now burn wood in smoke controlled zones
- 5kw nominal output - suitable for a wide range of room sizes
- No additional room air requirement - no unsightly wall vents
- Multifuel - can be used with wood and smokeless fuel
- Large glass window for a relaxing view of the flames
- Very powerful airwash to help keep the glass panel free of deposits
- Adjustable log guard for either wood or solid fuel
- Available in Traditional Black, Cranberry Blush and Buttermilk stove paint finishes
- Brushed steel handle available as an option
- High quality steel and cast iron construction for strength and efficient heat transfer
- 5 Year warranty

FINISH OPTIONS



For further information on stove finishes please see page 26.



Log guard adapts from double to single height to accommodate different fuel loads on all Earlswood stoves.



A brushed steel handle option is also available



A brushed steel handle option is also available



Earlswood LS **5kw**

Benefiting from all the features and solid construction that make the Earlswood such a charming stove, the LS version is supplied with an integral log storage base. Having a convenient store of logs to hand means fewer trips outside for fuel on dark, wet winter evenings and adds a charming new visual dimension to the stove.



FEATURES AT A GLANCE

FINISH OPTIONS

- Log store pedestal base - keeps logs conveniently to hand
- DEFRA approved - you can now burn wood in smoke controlled zones
- 5kw nominal output - suitable for a wide range of room sizes
- No additional room air requirement - no unsightly wall vents
- Multifuel - can be used with wood and smokeless fuel
- Large glass window for a relaxing view of the flames
- Very powerful airwash to help keep the glass panel free of deposits
- Adjustable log guard for either wood or solid fuel
- Available in Traditional Black, Cranberry Blush and Buttermilk stove paint finishes
- Brushed steel handle available as an option
- High quality steel and cast iron construction for strength and efficient heat transfer
- 5 Year warranty



For further information on stove finishes please see page 26.





Hopwood **6kW**

The Hopwood multifuel stove features a 6Kw output and with its panoramic wide styling and large glass door brings a new dimension to the traditional stove. Being DEFRA approved allows you to burn wood in smoke controlled zones - whether town or country.

A range of smokeless fuels can also be burned to give you plenty of fuel options and a reliable way to heat your home. The Hopwood is equipped with a powerful airwash to help keep the wide glass window clear of combustion deposits and show off the fire to its fullest effect.



FEATURES AT A GLANCE

FINISH OPTIONS

- DEFRA approved - you can now burn wood in smoke controlled zones
- 6kw nominal output - suitable for a wide range of room sizes
- Multifuel - can be used with wood and smokeless fuel
- Panoramic wide glass window for a relaxing view of the flames
- Very powerful airwash to help keep the glass panel free of deposits
- Adjustable log guard for either wood or solid fuel
- Available in Traditional Black, Cranberry Blush and Buttermilk stove paint finishes
- Brushed steel handle as standard - matt black available as an option
- High quality steel and cast iron construction for strength and efficient heat transfer
- Can be connected to a direct air supply
- 5 Year warranty



For further information on stove finishes please see page 26.



Log guard adapts from double to single height to accommodate different fuel loads on the Hopwood stove.



Astwood 7kw

Featuring a heat output of up to 7Kw the Astwood is capable of keeping larger rooms cosily warm through long, cold winter nights. Constructed with the same high quality materials and attention to detail that ACR are renowned for - featuring a solid cast iron door and a powerful airwash system to keep the large ceramic glass panel clear of unsightly deposits.

With the ability to burn either wood or solid fuel and DEFRA approval to burn wood in smoke controlled zones, the Astwood is also a very practical way to heat your home.



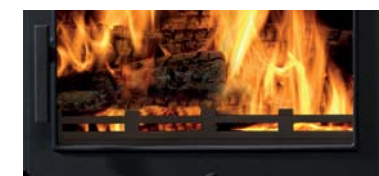
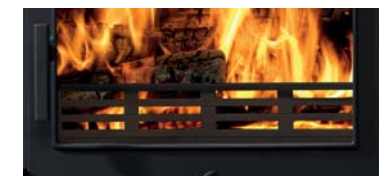
FEATURES AT A GLANCE

- DEFRA approved - you can now burn wood in smoke controlled zones
- 7kw nominal output - suitable for a wide range of room sizes
- Multifuel - can be used with wood and smokeless fuel
- Large glass window for a relaxing view of the flames
- Very powerful airwash to help keep the glass panel free of deposits
- Adjustable log guard for either wood or solid fuel
- Available in Traditional Black, Cranberry Blush and Buttermilk stove paint finishes
- Brushed steel handle available as an option
- High quality steel and cast iron construction for strength and efficient heat transfer
- Can be connected to a direct air supply
- 5 Year warranty

FINISH OPTIONS



For further information on stove finishes please see page 26.



Astwood log guard adapts from double to single height to accommodate different fuel loads.



A brushed steel handle option is also available



Malvern **5kw**

The Malvern stove brings a more contemporary style to the traditional stove, whilst keeping you beautifully warm and cosy throughout the winter and those chilly summer evenings. Being DEFRA approved means that the Malvern can be used for woodburning in smoke controlled zones. So whether you live in the town or the country, you can now enjoy the pleasures of a real woodburning stove.

A range of smokeless fuels can also be burned on the Malvern which is also equipped with a powerful airwash to help keep the glass clean for a fantastic view of the fire.



FEATURES AT A GLANCE

- DEFRA approved - you can now burn wood in smoke controlled zones
- 5kw nominal output - suitable for a wide range of room sizes
- Multifuel - can be used with wood and smokeless fuel
- Large glass window for a relaxing view of the flames
- Very powerful airwash to help keep the glass panel free of deposits
- Adjustable log guard for either wood or solid fuel
- Available in Traditional Black, Cranberry Blush and Buttermilk stove paint finishes
- Brushed steel handle as standard - matt black available as an option
- High quality steel and cast iron construction for strength and efficient heat transfer
- 5 Year warranty

FINISH OPTIONS



For further information on stove finishes please see page 26.



Log guard adapts from double to single height to accommodate different fuel loads on all Malvern stoves.



Malvern LS 5kw

The Malvern LS features the same attention to detail and high standard of construction as the standard Malvern stove, but with the addition of an integral log storage base. Ideal for keeping a supply of fuel conveniently to hand with fewer trips outdoors - the Malvern LS offers its own distinct style.



FEATURES AT A GLANCE

- Log store pedestal base - keeps logs conveniently to hand
- DEFRA approved - you can now burn wood in smoke controlled zones
- 5kw nominal output - suitable for a wide range of room sizes
- Multifuel - can be used with wood and smokeless fuel
- Large glass window for a relaxing view of the flames
- Very powerful airwash to help keep the glass panel free of deposits
- Adjustable log guard for either wood or solid fuel
- Available in Traditional Black, Cranberry Blush and Buttermilk stove paint finishes
- Brushed steel handle as standard - matt black available as an option
- High quality steel and cast iron construction for strength and efficient heat transfer
- 5 Year warranty

FINISH OPTIONS



For further information on stove finishes please see page 26.





Buxton 7kw

The Buxton stove is capable of generating 7Kw of heat to keep larger rooms warm and snug throughout the cold winter months. It offers cleaner lines and contemporary styling making it perfect for a less traditional room. The Buxton has DEFRA approval meaning that you can burn wood in smoke controlled zones and can also burn a variety of smokeless fuels making it a very practical way of heating your home.



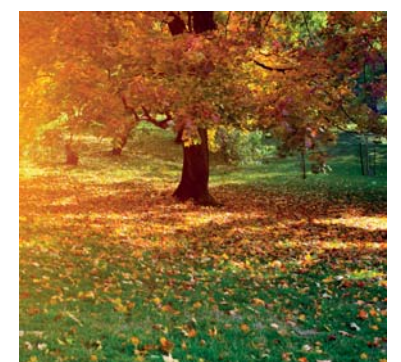
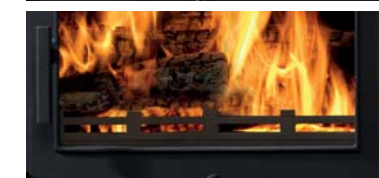
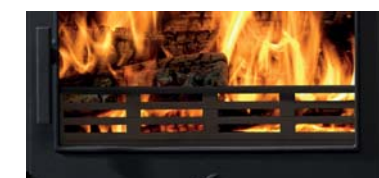
FEATURES AT A GLANCE

FINISH OPTIONS

- DEFRA approved - you can now burn wood in smoke controlled zones
- 7kw nominal output - suitable for a wide range of room sizes
- Multifuel - can be used with wood and smokeless fuel
- Large glass window for a relaxing view of the flames
- Very powerful airwash to help keep the glass panel free of deposits
- Adjustable log guard for either wood or solid fuel
- Available in Traditional Black, Cranberry Blush and Buttermilk stove paint finishes
- Brushed steel handle as standard - matt black available as an option
- High quality steel and cast iron construction for strength and efficient heat transfer
- Can be connected to a direct air supply
- 5 Year warranty



For further information on stove finishes please see page 26.



Log guard adapts from double to single height to accommodate different fuel loads on all Buxton stoves.



Buxton LS 7kw

With the same attention to detail and high standard of construction as the standard Buxton stove, the LS model features a convenient integral log storage base, creating a stunning room centrepiece. The Buxton LS is also DEFRA approved allowing you to burn wood in smoke controlled zones.



FEATURES AT A GLANCE

- Log store pedestal base - keeps logs conveniently to hand
- DEFRA approved - you can now burn wood in smoke controlled zones
- 7kw nominal output - suitable for a wide range of room sizes
- Multifuel - can be used with wood and smokeless fuel
- Large glass window for a relaxing view of the flames
- Very powerful airwash to help keep the glass panel free of deposits
- Adjustable log guard for either wood or solid fuel
- Available in Traditional Black, Cranberry Blush and Buttermilk stove paint finishes
- Brushed steel handle as standard - matt black available as an option
- High quality steel and cast iron construction for strength and efficient heat transfer
- Can be connected to a direct air supply
- 5 Year warranty

FINISH OPTIONS



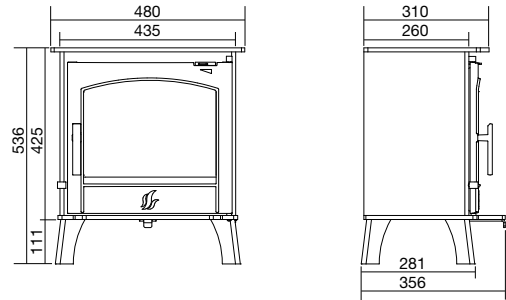
For further information on stove finishes please see page 26.



Stove technical specifications - cast iron and steel range

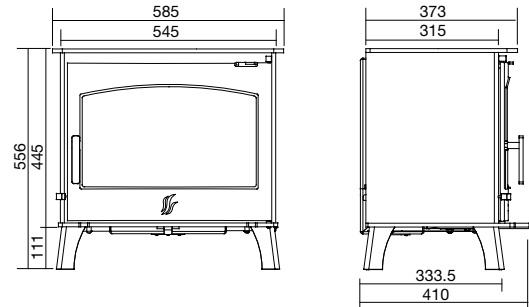
All dimensions are quoted in mm unless stated otherwise.

Earlswood



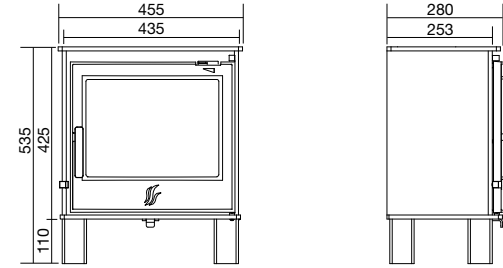
Fuel	Wood and Solid Fuel
Nominal Output	5 kw
Net Efficiency	78%
Gross Efficiency	71%
Max Hearth Temp	Less than 100°C
Weight	80 kg
Max Log Size	35 cm
Flue Diameter	125 mm (inside dia)
Flue Location	Top or Rear
Floor to centre of rear flue outlet	430 mm
Rear of stove to centre top flue outlet	105 mm
Construction	Cast Iron and Steel

Hopwood



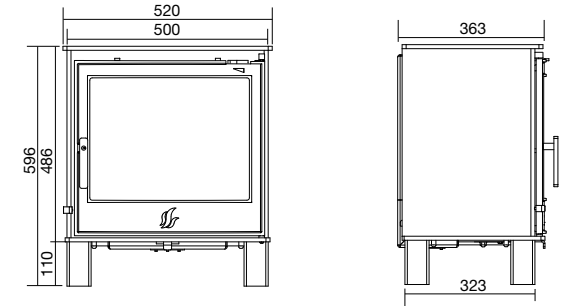
Fuel	Wood and Solid Fuel
Nominal Output	6 kw
Net Efficiency	77%
Gross Efficiency	70%
Max Hearth Temp	Less than 100°C
Weight	85 kg
Max Log Size	45 cm
Flue Diameter	125 mm (inside dia)
Flue Location	Top or Rear
Floor to centre of rear flue outlet	447 mm
Rear of stove to centre top flue outlet	113 mm
Construction	Cast Iron and Steel

Malvern



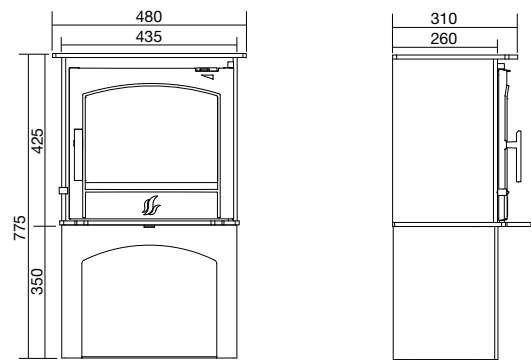
Fuel	Wood and Solid Fuel
Nominal Output	5 kw
Net Efficiency	78%
Gross Efficiency	71%
Max Hearth Temp	Less than 100°C
Weight	80 kg
Max Log Size	35 cm
Flue Diameter	125 mm (inside dia)
Flue Location	Top or Rear
Floor to centre of rear flue outlet	430 mm
Rear of stove to centre top flue outlet	105 mm
Construction	Cast Iron and Steel

Buxton



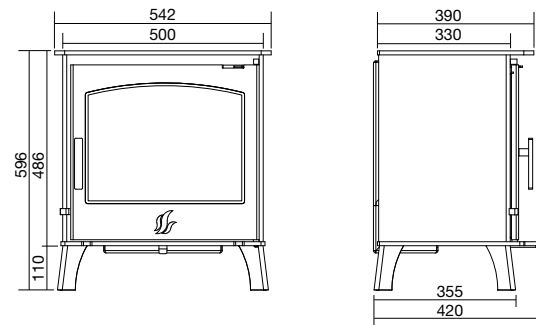
Fuel	Wood and Solid Fuel
Nominal Output	7 kw
Net Efficiency	78%
Gross Efficiency	71%
Max Hearth Temp	Less than 100°C
Weight	95 kg
Max Log Size	42 cm
Flue Diameter	125 mm (inside dia)
Flue Location	Top or Rear
Floor to centre of rear flue outlet	485 mm
Rear of stove to centre top flue outlet	110 mm
Construction	Cast Iron and Steel

Earlswood LS



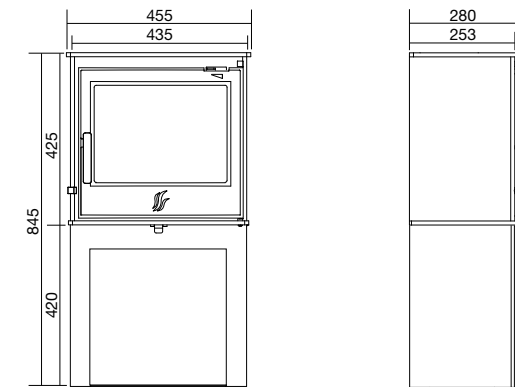
Fuel	Wood and Solid Fuel
Nominal Output	5 kw
Net Efficiency	78%
Gross Efficiency	71%
Max Hearth Temp	Less than 100°C
Weight	101 kg
Max Log Size	35 cm
Flue Diameter	125 mm (inside dia)
Flue Location	Top or Rear
Floor to centre of rear flue outlet	669 mm
Rear of stove to centre top flue outlet	105 mm
Construction	Cast Iron and Steel

Astwood



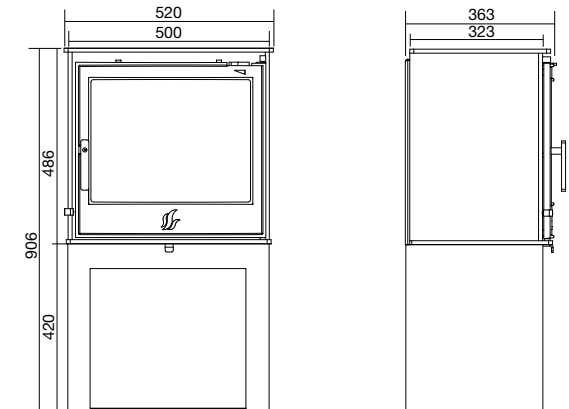
Fuel	Wood and Solid Fuel
Nominal Output	7 kw
Net Efficiency	78%
Gross Efficiency	71%
Max Hearth Temp	Less than 100°C
Weight	95 kg
Max Log Size	42 cm
Flue Diameter	125 mm (inside dia)
Flue Location	Top or Rear
Floor to centre of rear flue outlet	485 mm
Rear of stove to centre top flue outlet	110 mm
Construction	Cast Iron and Steel

Malvern LS



Fuel	Wood and Solid Fuel
Nominal Output	5 kw
Net Efficiency	78%
Gross Efficiency	71%
Max Hearth Temp	Less than 100°C
Weight	100 kg
Max Log Size	35 cm
Flue Diameter	125 mm (inside dia)
Flue Location	Top or Rear
Floor to centre of rear flue outlet	740 mm
Rear of stove to centre top flue outlet	105 mm
Construction	Cast Iron and Steel

Buxton LS



Fuel	Wood and Solid Fuel
Nominal Output	7 kw
Net Efficiency	78%
Gross Efficiency	71%
Max Hearth Temp	Less than 100°C
Weight	120 kg
Max Log Size	42 cm
Flue Diameter	125 mm (inside dia)
Flue Location	Top or Rear
Floor to centre of rear flue outlet	795 mm
Rear of stove to centre top flue outlet	110 mm
Construction	Cast Iron and Steel

Stove finish options

All ACR Firebox Stoves are available in Traditional Black, Cranberry Blush and Buttermilk stove paint finishes. All finishes can be wiped down with a damp cloth to keep your stove clean. Colour matched stove paint is also available.



Traditional Black stove paint
Featured stove: Hopwood



Cranberry Blush stove paint
Featured stove: Buxton



Buttermilk stove paint
Featured stove: Malvern

Stove accessory range

KEEPING YOUR STOVE IN TIP-TOP CONDITION

Our stoves are carefully engineered for many years of trouble free service. To keep your stove looking its best and working efficiently we offer a range of products and consumable spare parts specifically designed for maintaining your stove.

ACR TRADITIONAL STOVE PAINT

A premium quality temperature resistant paint designed for keeping the appearance of all stove paint finish stoves looking as-new. The environmentally friendly spray makes application to your stove straightforward and with a heat resistant rating up to 650°C you can be assured of a long lasting quality finish on your stove.



ACR GLASSBRIGHT DOOR GLASS CLEANER

Specially formulated to make cleaning your stoves glass as easy as possible. Unsightly deposits can build up from burning unseasoned wood or non-recommended solid fuels, spoiling the view of the fire. Regular cleaning with Glassbright will assist by dissolving away these stubborn deposits and make cleaning much easier.



DOOR SEALS

It is important that door seals are maintained to ensure your stove is operating at maximum efficiency. Your supplying stove dealer will stock new door rope seals for your ACR stove. We recommend that you replace the seal if the current one is showing excessive signs of wear and tear, or damage.

SPARE PARTS

A wide range of spare parts are available from stock for your ACR stove. Should you encounter a problem and require parts, please contact your supplying dealer.



Astwood 7 Kw - see page 14

Stove Installation

HETAS

HETAS is the official Government recognised organisation designated to approve solid fuel heating appliances. It is important that your stove is installed by a HETAS approved installer. This ensures that the work is carried out to a high standard of competence and safety - all HETAS installers are fully qualified and certified to work with solid fuel appliances.



Please consult your dealer for further information, or visit www.hetas.co.uk to learn more and to find a qualified installer in your area.